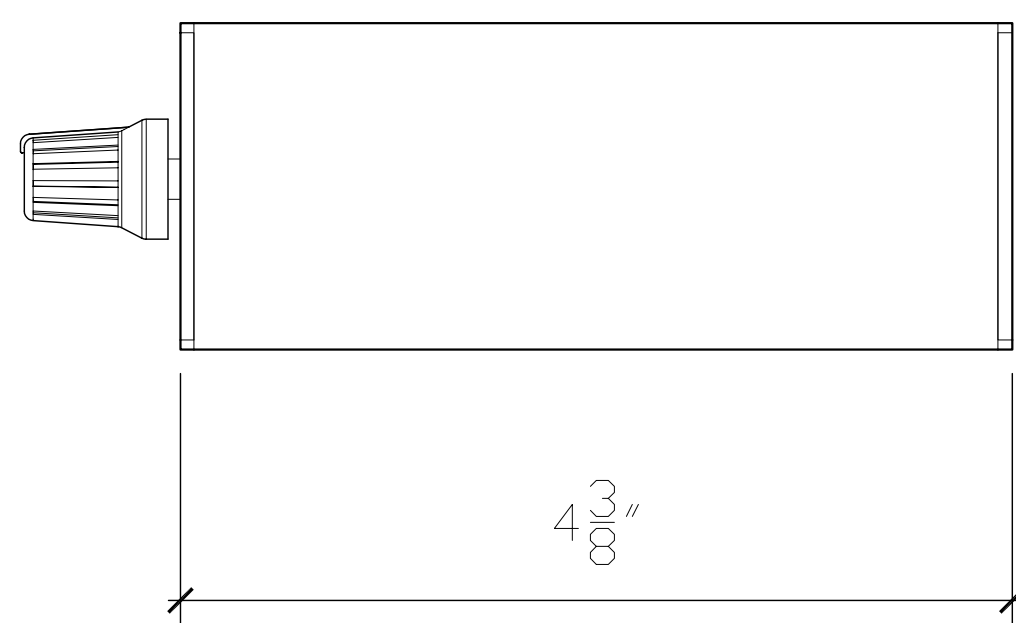
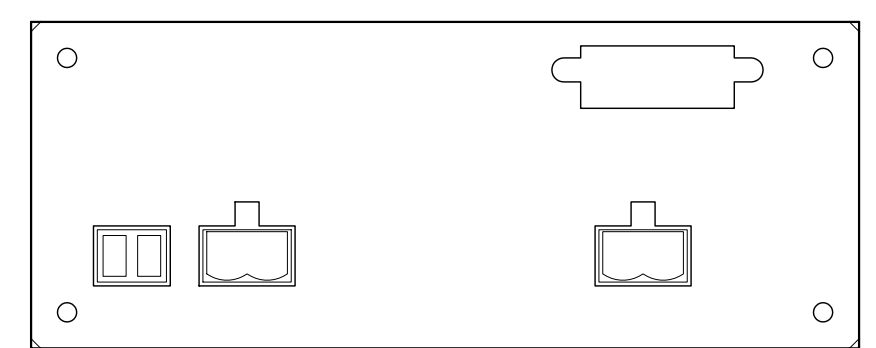


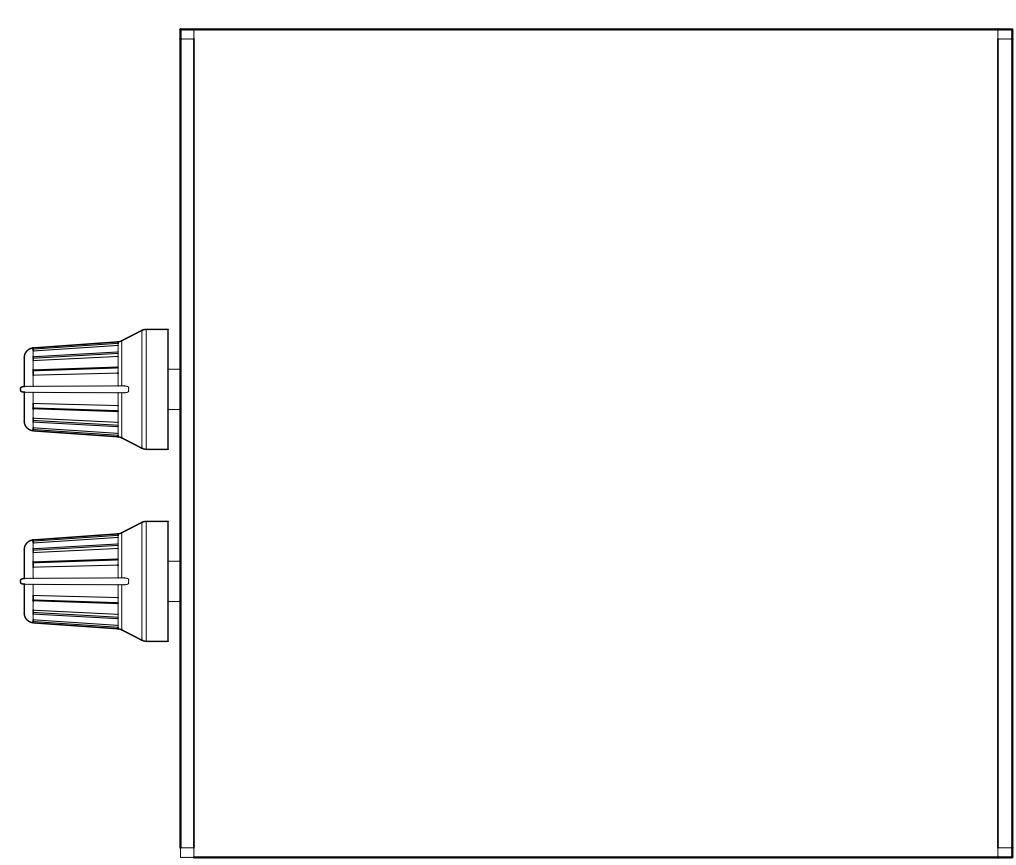
FRONT VIEW



SIDE VIEW



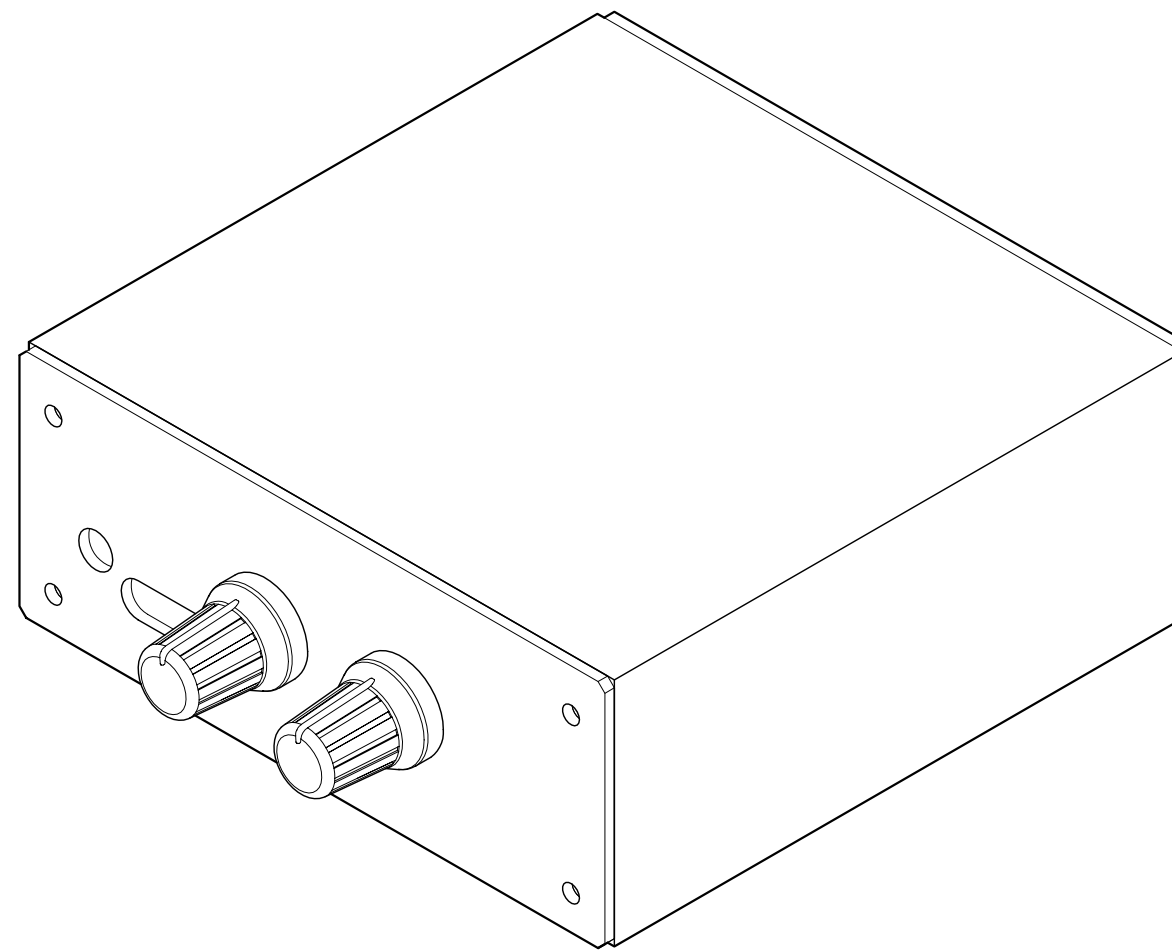
BACK VIEW



TOP VIEW

PROPRIETARY AND CONFIDENTIAL
 THE INFORMATION CONTAINED IN THIS
 DRAWING IS THE SOLE PROPERTY OF
 (INSERT COMPANY NAME HERE). ANY
 REPRODUCTION IN PART OR AS A WHOLE
 WITHOUT THE WRITTEN PERMISSION OF
 (INSERT COMPANY NAME HERE) IS
 PROHIBITED.

		UNLESS OTHERWISE SPECIFIED:		NAME	DATE	NB-50050
		DIMENSIONS ARE IN INCHES		DRAWN		
		TOLERANCES:		CHECKED		Mono/Stereo Amplifier
		FRACTIONAL ±		ENG APPR.		
		ANGULAR: MACH ± BEND ±		MFG APPR.		
		TWO PLACE DECIMAL ±		Q.A.		Nigel B Design Inc.
		THREE PLACE DECIMAL ±		COMMENTS:		
		INTERPRET GEOMETRIC TOLERANCING PER:				SCALE: 1:1 WEIGHT: SHEET 1 OF 1
		MATERIAL:				
NEXT ASSY	USED ON	FINISH				
APPLICATION		DO NOT SCALE DRAWING				



ISOMETRIC VIEW

PROPRIETARY AND CONFIDENTIAL
 THE INFORMATION CONTAINED IN THIS
 DRAWING IS THE SOLE PROPERTY OF
 (INSERT COMPANY NAME HERE). ANY
 REPRODUCTION IN PART OR AS A WHOLE
 WITHOUT THE WRITTEN PERMISSION OF
 (INSERT COMPANY NAME HERE) IS
 PROHIBITED.

		UNLESS OTHERWISE SPECIFIED:	NAME	DATE	NB-50050
		DIMENSIONS ARE IN INCHES	DRAWN		
		TOLERANCES:	CHECKED		
		FRACTIONAL ±	ENG APPR.		
		ANGULAR: MACH ± BEND ±	MFG APPR.		
		TWO PLACE DECIMAL ±	Q.A.		Nigel B Design Inc.
		THREE PLACE DECIMAL ±	COMMENTS:		
		INTERPRET GEOMETRIC TOLERANCING PER:			SCALE: 1:1 WEIGHT: SHEET 1 OF 1
		MATERIAL			
NEXT ASSY	USED ON	FINISH			
APPLICATION		DO NOT SCALE DRAWING			