

RS 232 CONTROLLED

INSTRUCTIONS



THRESHOLD ADJUSTMENT
ADC ENABLED
POWER INDICATOR
VOLUME LEVELS



TWO WAY RS 232 CONTROL PORT
ACCEPTS BALANCED OR UNBALANCED INPUTS FOR STEREO OR MONO OPERATION



ADJUSTING TURN ON/TURN OFF SEQUENCE

Threshold level should not need Adjusting, unless the Threshold Indicator does not light up or the Sound cuts off prematurely. Turning the Trim Pot Clockwise increases Sensitivity.

Four times more Energy Efficient in comparison with our nearest competitor



RECOMMENDED POWER SUPPLY

UL/CSA Listed Auto Sensing 110 - 240 Volt 3.3 Amps DC
Part # NB-PS-UNIV



Includes Standard 3 Pin USA Power Cord

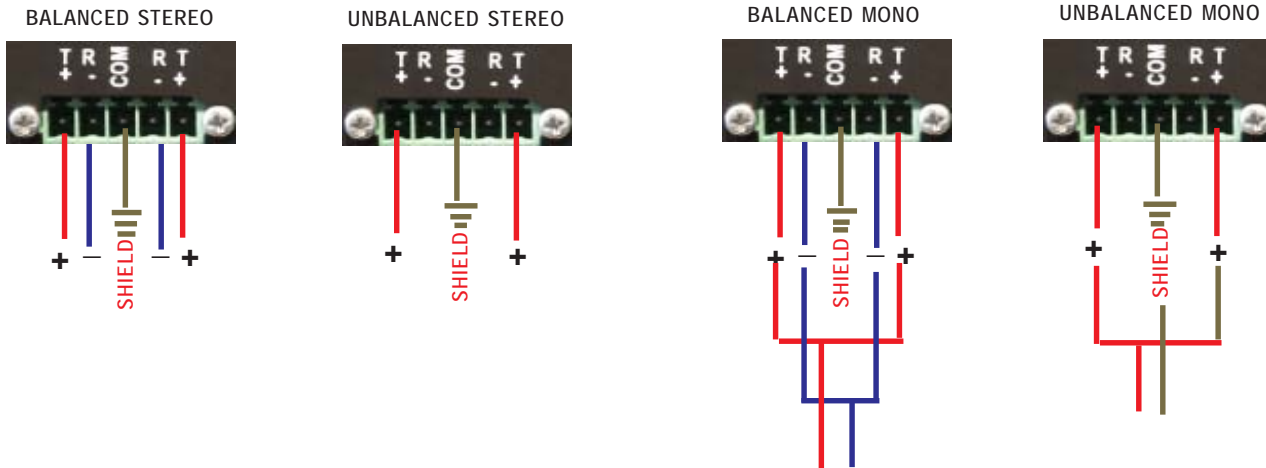
SUPER FAST - ADC - AUTOMATIC DETECTION CIRCUIT



This **ENERGY EFFICIENCY COOL RUNNING AUTOMATIC** Amplifier turns itself on in less than **2 milliseconds of detecting an Audio Signal**. When no Audio signal is detected it will automatically turn itself off after about 20 seconds, unless the Audio is restored before the cut off period, at which time the unit will repeat the Active Mode until finally no signal is detected.

AUTOMATIC INTERNAL CONFIGURATION OF THE LINE INPUT PHOENIX TYPE TERMINALS FOR FAST CONNECTIONS

Internal circuitry enables the user to configure the Amplifier to be used in either Balanced or Unbalanced Modes depending on the connections used. Shown below are the different Line In Connections that allow the Amplifier to accept either Balanced or Unbalanced Stereo or Mono, depending on the user's requirements.



AMPLIFIER VOLUME CONTROL

The Amplifier's Volume is controlled through the RS 232 Two Way Control Port. The Front Volume Level Trim Pots control the actual (or Total Amount) of Output Level of each Channel. For Example: Setting the Front Trim Pots to 50% will provide 50% Output from the RS 232 Internal Digital Pots. So for 100% RS 232 Volume, make sure the Front Trim Pots are set somewhere near Maximum (turned clockwise).

Please turn over for Mounting Options and Specs

GET RID OF MESSY WIRING AND CABLE TIES

**No Modification to the Projector Pole is required
All Cables and Wiring runs to and from the Platform inside**



Up to four 1/4 Rack Nigel B Design Amplifiers can be fitted taking up only 1 Rackspace



Pole Mount Platform

The Pole Mount Platform uses two lengths of 1 1/2" threaded Pipe. One Pipe is fitted into the top bushing of the Platform and the other to the bushing underneath.

All the wiring is always hidden from view using the inside of the Projector's Pole.



Multi Purpose Brackets can be Pole or Surface Mounted they can also be joined together when you need more space



Even attached vertically to mount an Amplifier behind a TV Monitor or other Flat Surfaces Structured Wiring Panel

NEED TO HIDE THE EQUIPMENT IN THE PLENUM

Hidden from view, our Plenum Rated Equipment Boxes allow Amplifiers and other Equipment, Power Supply, AC Receptacle and all the Cables to fit inside. All Cable runs are routed internally, so that the entire unit meets UL 2034 and all Electrical Codes for **Plenum Rating. Because the entire assembly is hidden, the chance of theft is minimized.**

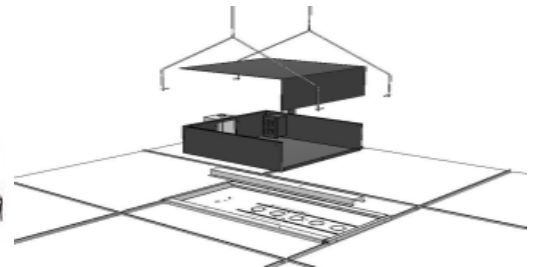


Pole Mount Version

Our Plenum Rated Equipment Boxes contains a 1 gang Receptacle for powering both the Amplifier and any other equipment concealed inside



Ceiling Tile Kit



Plenum Equipment Box & Ceiling Tile kit

AMPLIFIER SPECIFICATIONS

- 50 watts Stereo / Mono (25 watts per Channel)
- 70 /25 Volt Output
- 75 watts Peak Music Power
- Frequency Response: 15 Hz - 22 kHz
- Signal to Noise Ratio: -65 dB
- Total Harmonic Distortion: .003 dB
- Dynamic Range: 115 dB
- Overload Protection: Built In
- All Screw Connectors

AUTO POWER SAVING MODE

Power is reduced to 250 milliamps in Stand By Mode

RECOMMENDED POWER SUPPLY REQUIRED

- 110V - 24V 3.3 Amps DC
- Nigel B Design Part # NB-PS-UNIV
- 100v -240v Auto Sensing 24 v 3.3 Amps DC



The StrongBox

The beauty of the StrongBox is that it fits Flush to the Ceiling Tiles. It comes complete with Built in UL/CSA AC Power Receptacle. The Locking Front Door is fitted with a Contact Closure allowing it to be connected to any Security Device should someone Tamper with the Equipment inside.

Can be Pole Mounted or installed using the Ceiling Tile Kit In both cases all Wiring is hidden and enclosed

