



70 / 25 VOLT PLUS SERIES MONO/STEREO AMPLIFIER

Part # NB-7052PL Requires NB-PS75 AC Power Supply

INSTRUCTIONS

**45 WATTS RMS INTO 4 OHMS SUPERIOR SOUND OUTPUT
IN EITHER MONO OR STEREO MODES**

(See Below)



POWER INDICATOR
ADC ENABLED
THRESHOLD ADJUSTMENT
(FACTORY SET)



**AUTOMATIC DETECTION CIRCUIT
TURNS THE AMPLIFIER ON AND OFF
AUTOMATICALLY**

TWO WAY RS 232 PORT
FOR CONTROL FROM ANY AMX®, OR
CRESTRON® CONTROLLER OR OTHER
DEVICES
ACCEPTS BALANCED OR
UNBALANCED INPUTS FOR
STEREO OR MONO
OPERATION



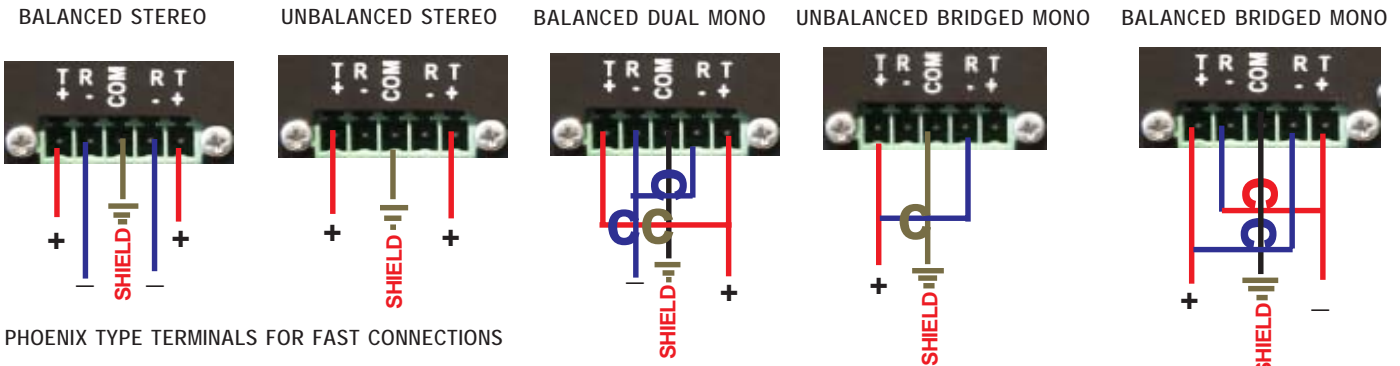
**AUTOMATIC FAN CONTROL
FAN TURNS OFF AUTOMATICALLY
WHEN NO AUDIO IS PRESENT**

The Threshold Adjustment is factory set, and should not need adjustment, unless the Threshold Indicator does not light up. With Sound playing, turn the Pot slightly until the LED lights up

SUPER FAST - ADC- AUTOMATIC DETECTION CIRCUIT

A wonder in **ENERGY EFFICIENCY** this **COOL RUNNING AUTOMATIC** Amplifier turns itself on in less than **2 milliseconds of detecting an Audio Signal**. When no Audio signal is detected it will automatically turn itself off after about 2 minutes, unless the Audio is restored before the cutoff period, at which time the unit will repeat the Active Mode until finally no signal is detected.

AUTOMATIC INTERNAL CONFIGURATION OF THE LINE INPUT



PHOENIX TYPE TERMINALS FOR FAST CONNECTIONS

Internal circuitry enables the user to configure the Amplifier to be used in either Balanced or Unbalanced Modes depending on the connections used. Shown above are the different Line In Connections that allow the Amplifier to accept either Balanced or Unbalanced Stereo, Balanced Dual Mono or Balanced Bridged Mono Inputs, depending on the user's requirements.



RS 232 PORT FOR TOTAL CONTROL

The RS 232 Port is a **Two Way Device** that receives its instructions from a variety of Controllers such as AMX or Crestron and Software such as Stardraw, in conjunction with Global Cache. Once commands are received by the Amplifier, confirmation is sent back to the Control Device.

Please turn over for Mounting Options and Specs

PRE-DRILLED MOUNTING HOLES ALLOW MIX & MATCH

All our Mounting Options shown below are Pre-Drilled allowing them to be used for Nigel B Amplifiers, some Crestron® devices, and all Extron® 1/8th and 1/4 Rack Versa Tool® Modules.



Up to four Amplifiers can be fitted taking up only 1 Rackspace



19" RackFrame Shelf holds both Nigel B Modules and all 1/8th & 1/4 Rack Extron® Versa Tools®

NEED TO HIDE THE EQUIPMENT IN THE PLENUM

Hidden from view our new Plenum Rated Equipment Box allows the Amplifier, Power Supply, AC Receptacle and all the Cables to fit inside. All Cable runs are routed internally, so that the entire unit meets UL 2034 and all Electrical Codes for **Plenum Rating**.

Because the entire assembly is hidden theft is eliminated.



Our Plenum Rated Equipment Box contains a 1 gang Receptacle for powering both the Amplifier and any other equipment concealed inside

NEED THE PROJECTOR CLOSE TO THE CEILING WITH THE AMPLIFIER & EQUIPMENT HIDDEN

Using the Plenum Equipment Box has the benefit of being able to mount the Projector tight against the Ceiling Tiles.

AMPLIFIER SPECIFICATIONS

45 watts Stereo into 4 Ohms
(22.5 watts per Channel)
75 watts Peak Music Power
Frequency Response: 15 Hz - 22 kHz
Signal to Noise Ratio: -65 dB
Total Harmonic Distortion: .003 dB
Dynamic Range: 115 dB
Overload Protection: Built In
All Screw Connectors

AUTO POWER SAVING MODE

Power is reduced to .25amps
in Stand By Mode

70/25 VOLT OUT PUT

2 Built in Autoformers
for Superior Output*

REQUIRED OPTION

Power Supply UL/CSA Listed
110V - 12V 4.5 Amps AC

USES STANDARD SERIAL CABLE (NOT SUPPLIED)

RS 232 PORT SPECIFICATIONS

The RS 232 Port is a **Two Way Device** that receives its instructions from a variety of Controllers such as AMX or Crestron and Software such as Stardraw, in conjunction with Global Cache. Once commands are received by the Amplifier, confirmation is sent back to the Control Device.

CUSTOM APPLICATIONS (EXTRA COST)

The Protocol can be downloaded from our Web Site free of charge or you can contact our Program Engineer for specific Control Functions that you may want to be programmed.

***70/25 VOLT SPEAKER CONNECTION**

We use Custom Made Autoformers in place of Transformers to give the best possible 70/25 Volt Amplifier Output.

In selecting the Transformers for the Speakers, determines the quality of the Speaker Output, therefore we suggest using the highest grade of Speaker Transformers where sound quality is paramount.

Nigel B Design, Inc. California, USA. Tel: (818) 487-9323 Fax: (818) 766-9805
Web Site: www.nigelbdesign.com. E-Mail: sales@nigelbdesign.com