

Nigel B.

# 90 WATT MONO 5000 SERIES STEREO AMPLIFIER

## INSTRUCTIONS



Four times more Energy Efficient in comparison with our nearest competitor

ACCEPTS BALANCED OR UNBALANCED INPUTS FOR STEREO OR MONO OPERATION



### RECOMMENDED POWER SUPPLY

UL/CSA Listed Auto Sensing 110 -240 Volt 6.3 Amps DC Part # NB-PS-170

Quarter Rack Size Matching Amplifier Width



### ADJUSTING TURN ON/TURN OFF SEQUENCE

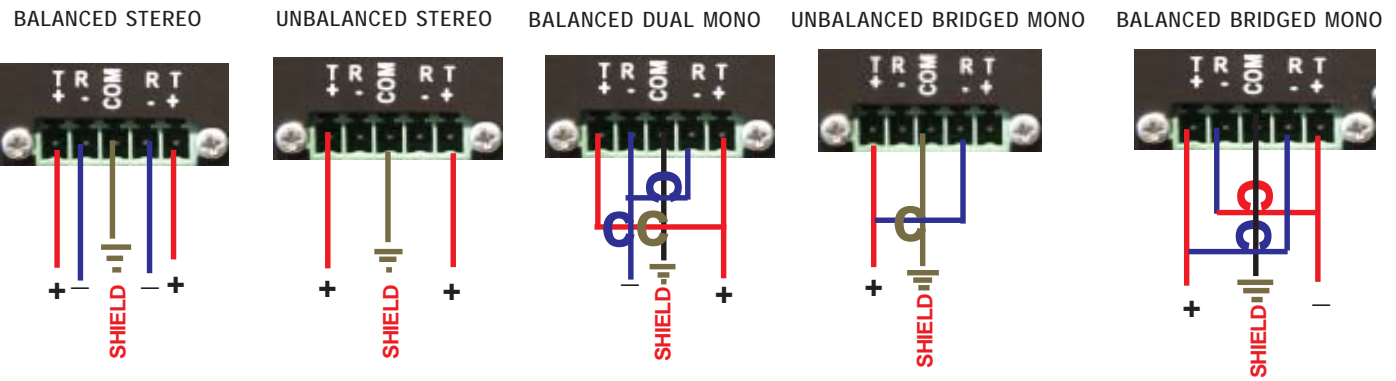
Threshold level should not need Adjusting, unless the Threshold Indicator does not light up or the Sound cuts off prematurely. Turning the Trim Pot Clockwise increases Sensitivity.

### SUPER FAST - ADC- AUTOMATIC DETECTION CIRCUIT



This ENERGY EFFICIENCY COOL RUNNING AUTOMATIC Amplifier turns itself on in less than 2 milliseconds of detecting an Audio Signal. When no Audio signal is detected it will automatically turn itself off after about 20 seconds, unless the Audio is restored before the cut off period, at which time the unit will repeat the Active Mode until finally no signal is detected.

### PHOENIX TYPE TERMINALS FOR FAST CONNECTIONS

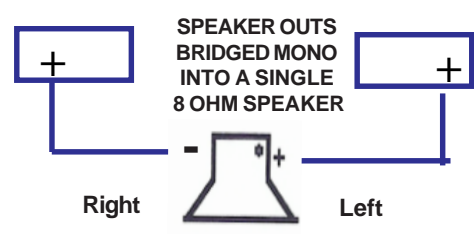


### AUTOMATIC INTERNAL CONFIGURATION OF THE LINE INPUT

Internal circuitry enables the user to configure the Amplifier to be used in either Balanced or Unbalanced Modes depending on the connections used. Shown above are the different Line In Connections that allow the Amplifier to accept either Balanced or Unbalanced Stereo, Balanced Dual Mono or Balanced Bridged Mono Inputs, depending on the user's requirements.

### BRIDGING TWO UNITS TOGETHER FOR INCREASE POWER OUTPUT

Two units may be bridged by linking each Speaker Outputs together. Each Amplifier will need its own Power Supply



Please turn over for Mounting Options and Specs

**GET RID OF MESSY WIRING AND CABLE TIES**

**No Modification to the Projector Pole is required  
All Cables and Wiring runs to and from the Platform inside**



**Pole Mount Platform**

The Pole Mount Platform uses two lengths of 1 1/2" threaded Pipe. One Pipe is fitted into the top bushing of the Platform and the other to the bushing underneath.

**All the wiring is always hidden from view using the inside of the Projector's Pole**



Up to four 1/4 Rack Nigel B Design Amplifiers can be fitted taking up only 1 Rackspace



Multi Purpose Brackets can be Pole or Surface Mounted they can also be joined together when you need more space



Can be attached behind a TV Monitor or other Flat Surfaces for Vertically Mounting any of our Amplifiers



Structured Wiring Panel

**NEED TO HIDE THE EQUIPMENT IN THE PLENUM**

Hidden from view, our Plenum Rated Equipment Boxes allow Amplifiers and other Equipment, Power Supply, AC Receptacle and all the Cables to fit inside. All Cable runs are routed internally, so that the entire unit meets UL 2034 and all Electrical Codes for **Plenum Rating. Because the entire assembly is hidden, the chance of theft is minimized.**

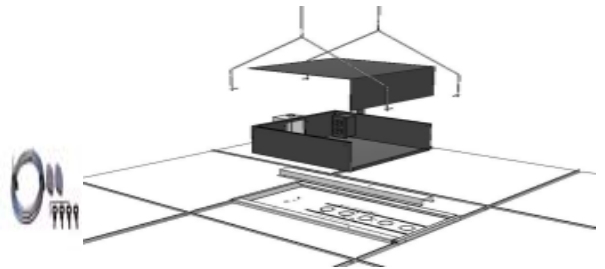


**Pole Mount Version**

Our Plenum Rated Equipment Boxes contains a 1 gang Receptacle for powering both the Amplifier and any other equipment concealed inside



**Ceiling Tile Kit**



**Plenum Equipment Box & Ceiling Tile kit**

**AMPLIFIER SPECIFICATIONS**

- 90 watts Stereo into 2 Ohms (45 watts per Channel)
- 100 watts Peak Music Power
- Frequency Response: 15 Hz - 22 kHz
- Signal to Noise Ratio: -65 dB
- Total Harmonic Distortion: .003 dB
- Dynamic Range: 115 dB
- Overload Protection: Built In
- All Screw Connectors

**AUTO POWER SAVING MODE**

Power is reduced to 250 milliamps in Stand By Mode

**RECOMMENDED POWER SUPPLY REQUIRED**

110V - 24V 6.3 Amps DC

Nigel B Design Part # NB-PS-170

100v -240v Auto Sensing 24 v 6.3 Amps DC



**The StrongBox**

The beauty of the StrongBox is that it fits Flush against the Ceiling Tiles. It comes complete with Built in UL/CSA AC Power Receptacle. The Locking Front Door is fitted with a Contact Closure allowing it to be connected to any Security Device should someone Tamper with the Equipment inside.



**Can be Pole Mounted or installed using the Ceiling Tile Kit  
In both cases all Wiring is hidden and enclosed**