



INSTRUCTIONS

All our Amplifiers use **ADC** (Automatic Detection Circuit) that saves Energy. All our Amplifiers meet an Energy Star Rating allowing us to Display the Energy Star Logo on our Products



Amplifier reduces Energy Use from 4.5 Amps to .025 Amps in "Stand By" Mode



MONO / STEREO BALANCED OR UNBALANCED INPUT/OUTPUT



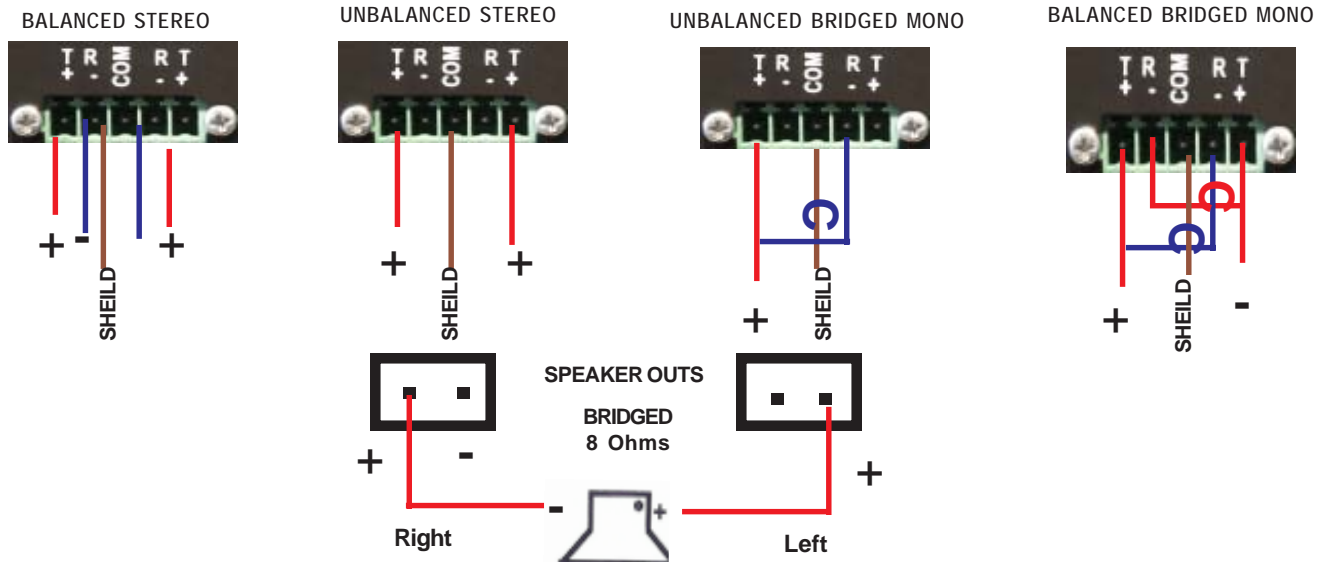
45 Watts RMS Mono / Stereo Output into 4 Ohms gives you plenty of output for one or two 4 or 8 Ohm Speakers. In Multiple Speaker Installations, 8 Ohm Speakers work best in this type of Installation. Information on Speaker Wiring is published on our Web Site www.nigelbdesign.com under "Tech Manuals," which explains why 8 Ohm Speakers are the preferred choice in these situations.

ENERGY SAVING FEATURE

The Amplifier features our ADC (Auto Detection Circuit) that reduces the power Consumption by a significant amount when the Amplifier is not in use. ADC works within 2 milliseconds of receiving an audio signal and the Amplifier will stay on until no Audio Signal is Present. This way no On/Off Switch is needed. As soon as Audio is again present the Amplifier will resume operation. After 30 second the Amplifier will go off until activated again.

CHOOSE YOUR INPUT

Internal circuitry enables the user to configure the Amplifier to be used in either Balanced or Unbalanced Modes depending on the connections used. Shown below are the different Line In Connections that allow the Amplifier to accept either Balanced or Unbalanced Stereo, or Balanced Bridged Mono Inputs, depending on the user's requirements.



Please see over for other helpful Ideas



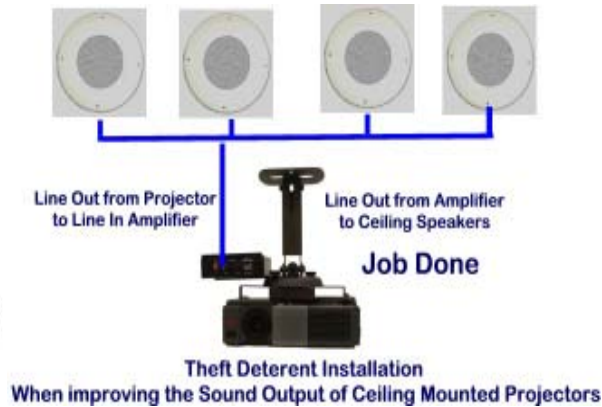
ASK US ABOUT OUR LIMPET™ ANTI THEFT ALARM SYSTEM

This device provides 24 hour 7 days Security to any Projector, Plasma Screen or in fact any Equipment you want to protect from theft.



3 OUTLET
POWER PANEL

POLE MOUNT PLATFORM
Fits on any 1/2" Projector Pole
Without Modification to the Pole



All Wiring and Cabling runs inside the Pole without Modification
Eliminating the need to Tie Wrap anything outside the Pole

PLENUM RATED EQUIPMENT BOXES

Both Units fit into any Plenum or Ceiling Space

Two different Models of our Plenum Rated Equipment Box can be installed in the Plenum or Ceiling Space. The 14" x 14" x 5" High Units allow many different types of equipment to fit inside, including our Amplifiers. All Cable and Wiring Runs, In and Out are routed internally using the Projector Pole or Conduit in and out of the Boxes, so that both units meets UL 2034 and all Electrical Codes for **Plenum Rating. Because the entire assembly is hidden, the chance of theft is eliminated.**



Pole Mount Version

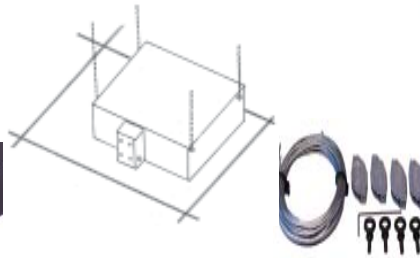


Hanging or Flat Surface Version



Need more Outlets
Fit an Extension Tap

Inside the Plenum
Equipment Box
showing the Amplifier
Power Supply
and Built-In
Power Receptacle



Nigel B Design, Inc. California, USA. Tel: (818) 487-9323 Fax: (818) 766-9805
Web Site: www.nigelbdesign.com. E-Mail: sales@nigelbdesign.com