




45 WATT MONO / STEREO AMPLIFIER

Part # NB-2075

Requires NB-PS75 AC Power Supply



All our Amplifiers use **ADC** (An Automatic Detection Circuit) that saves Energy. All our Amplifiers meet an Energy Star Rating allowing us to Display the Energy Star  Logo on our Products



Amplifier reduces Energy Use from 4.5 Amps to .025 amps in "Stand By" Mode (An Energy Cost Saving of over 90%)

MONO / STEREO BALANCED OR UNBALANCED INPUT/OUTPUT



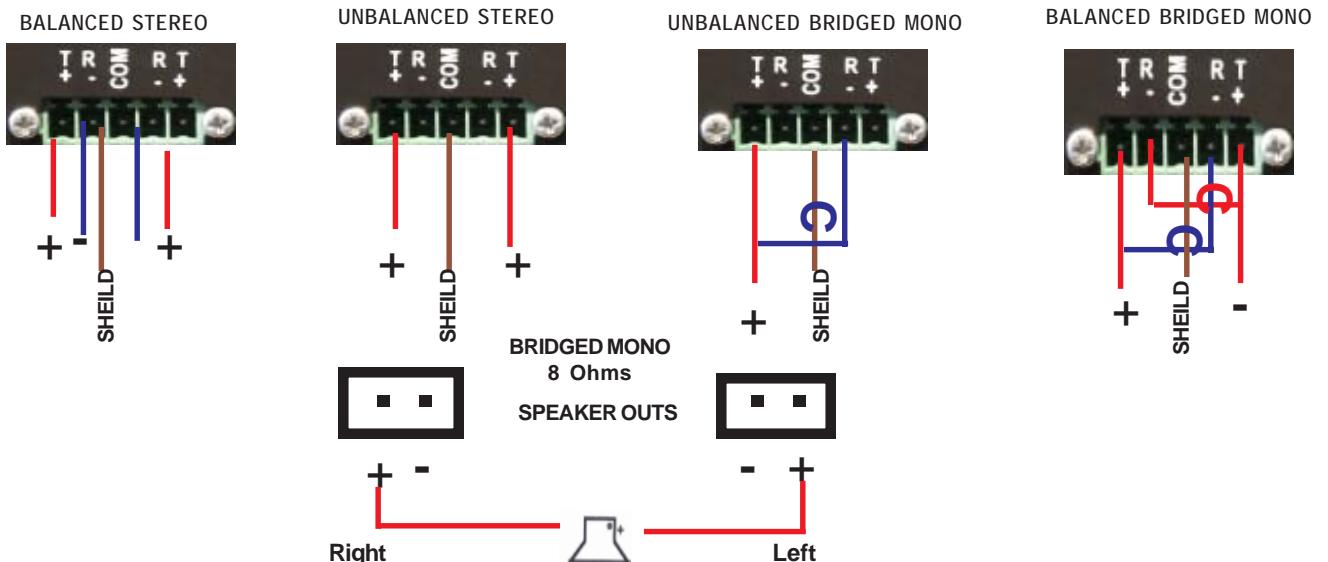
45 Watts RMS Mono / Stereo Output into 4 Ohms gives you plenty of output for one or two 4 or 8 Ohm Speakers. In Multiple Speaker Installations, 8 Ohm Speakers work best in this type of Installation. Information on Speaker Wiring is published on our Web Site www.nigelbdesign.com under "Tech Manuals," which explains why 8 Ohm Speakers are the preferred choice in these situations.

ENERGY SAVING FEATURE

The Amplifier features our ADC (Auto Detection Circuit) that reduces the power Consumption by a significant amount when the Amplifier is not in use. ADC works within 2 milliseconds of receiving an audio signal and the Amplifier will stay on until no Audio Signal is Present. This way no On/Off Switch is needed. As soon as Audio is again present the Amplifier will resume operation. After 30 second the Amplifier will go off until activated again.

CHOOSE YOUR INPUT

Internal circuitry enables the user to configure the Amplifier to be used in either Balanced or Unbalanced Modes depending on the connections used. Shown below are the different Line In Connections that allow the Amplifier to accept either Balanced or Unbalanced Stereo, or Balanced Bridged Mono Inputs, depending on the user's requirements.

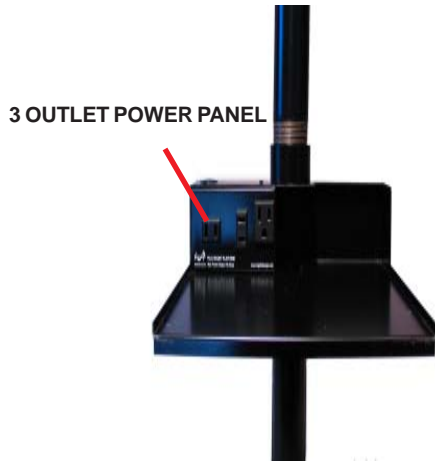


Please see over for specifications and helpful Ideas



ASK US ABOUT OUR LIMPET™ ANTI THEFT ALARM SYSTEM

This device provides 24 hour 7 days Security to any Projector, Plasma Screen or in fact any Equipment you want to protect from theft.



3 OUTLET POWER PANEL



Job Done
Theft Deterrent Installation
When improving the Sound Output of Ceiling Mounted Projectors



POLE MOUNT PLATFORM
Fits on any 1 /12" Projector Pole
Without Modification to the Pole

All Wiring and Cabling runs inside the Pole without Modification
Eliminating the need to Tie Wrap anything outside the Pole

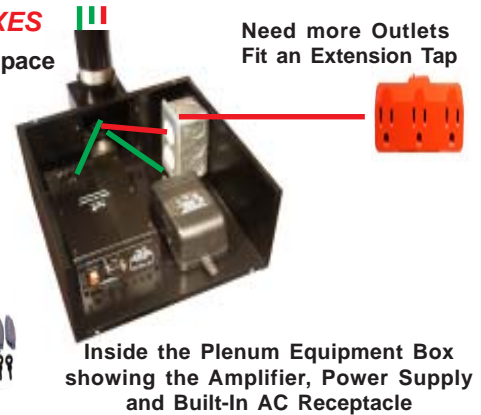
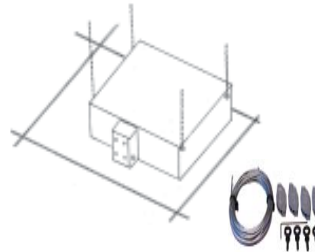
PLENUM RATED EQUIPMENT BOXES
Both Units fit into any Plenum or Ceiling Space



Pole Mount Version



Hanging or Flat Surface Version



Need more Outlets
Fit an Extension Tap

Inside the Plenum Equipment Box
showing the Amplifier, Power Supply
and Built-In AC Receptacle

AMPLIFIER SPECIFICATION

45 watts Stereo into 4 Ohms
(22.5 watts per Channel)
75 watts Peak Music Power
Frequency Response: 15 Hz - 22 kHz
Signal to Noise Ratio: -65 dB
Total Harmonic Distortion: .003 dB
Dynamic Range: 115 dB
Overload Protection: Built In
All Screw Connectors

ADC - STAND BY MODE

Power is reduced from 4.5 Amps to
to less than 250 milliamps in Stand By Mode

1	NB-2075	Model 75 Mono/Stereo 45 watts RMS Amplifier	\$ 299.95
2	NB-PS75	Power Supply 117v - 12v AC 4.5 Amps for above	\$ 49.95

REQUIRED OPTION

Power Supply UL / CSA Listed
110V - 12V 4.5 Amps AC

Nigel B Design, Inc. California, USA. Tel: (818) 487-9323 Fax: (818) 766-9805
Web Site: www.nigelbdesign.com. E-Mail: sales@nigelbdesign.com