

Nigel B.
DESIGN

70 / 25 VOLT

7000 PLUS SERIES
70090PL

MONO/STEREO AMPLIFIER

RS 232 CONTROLLED
INSTRUCTIONS



RED-POWER INDICATOR
GREEN-ADC ENABLED

TWO WAY RS 232 CONTROL PORT

ACCEPTS BALANCED OR UNBALANCED INPUTS FOR STEREO OR MONO OPERATION



NC or NO Contact Closure through RS 232 Control



RECOMMENDED POWER SUPPLY



1/4 Rack Part # NB-PS-170
UL/CSA Listed Auto Sensing 110 - 240 Volt 6.3 Amps DC

Four times more Energy Efficient in comparison with our nearest competitor

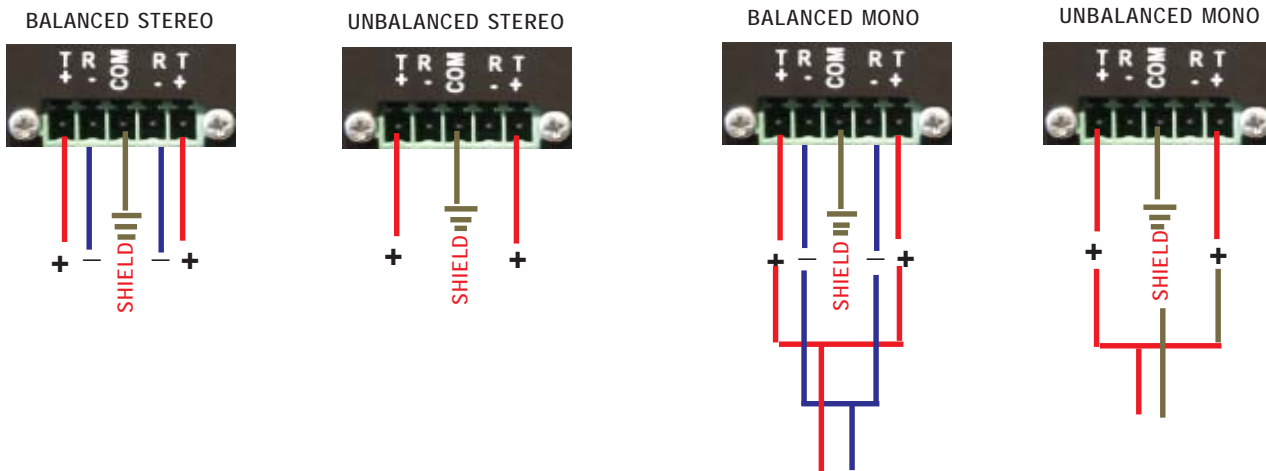
ADC

SUPER FAST AUTOMATIC DETECTION CIRCUIT

This **ENERGY EFFICIENCY COOL RUNNING AUTOMATIC** Amplifier turns itself on in less than **2 milliseconds** of detecting an **Audio Signal**. When no Audio signal is detected it will automatically turn itself off after about 20 seconds, unless the Audio is restored before the cut off period, at which time the unit will repeat the Active Mode until finally no signal is detected.

AUTOMATIC INTERNAL CONFIGURATION OF THE LINE INPUT PHOENIX TYPE TERMINALS FOR FAST CONNECTIONS

Internal circuitry enables the user to configure the Amplifier to be used in either Balanced or Unbalanced Modes depending on the connections used. Shown below are the different Line In Connections that allow the Amplifier to accept either Balanced or Unbalanced Stereo or Mono, depending on the user's requirements.



AMPLIFIER VOLUME CONTROL

The Amplifier's Volume is controlled through the RS 232 Two Way Control Port. The Front Volume Level Trim Pots control the actual (or Total Amount) of Output Level of each Channel. For Example: Setting the Front Trim Pots to 50% will provide 50% Output from the RS 232 Internal Digital Pots. So for 100% RS 232 Volume, make sure the Front Trim Pots are set somewhere near Maximum (turned clockwise).

Please turn over for Mounting Options and Specs