

Nigel B.
DESIGN

70 / 25 VOLT

7000 PLUS SERIES
70050PL

MONO/STEREO AMPLIFIER

RS 232 CONTROLLED
INSTRUCTIONS

TWO WAY RS 232
CONTROL PORT

ACCEPTS BALANCED
OR UNBALANCED INPUTS FOR
STEREO OR MONO OPERATION



POWER INDICATOR - RED
ADC AUDIO ENABLED - GREEN



Mono/Stereo Selector Switch
(allows full 50 Watts output
in Mono Mode)

70/25 Volt Outlet

Contact Closure NO or NC
Selectable by RS 232 Controller

SUPER FAST - ADC - AUTOMATIC DETECTION CIRCUIT

The first thing you will notice is the absence of an On/Off Switch. This is no accident. By incorporating an Automatic On/Off Circuit which we call ADC, the need for a Power Switch becomes unnecessary.



ADC makes our Amplifier more Energy
Efficient than any other Amplifier



RECOMMENDED POWER SUPPLY

UL/CSA Listed Auto Sensing 110 - 240 Volt 3.3 Amps DC
Part # NB-PSU

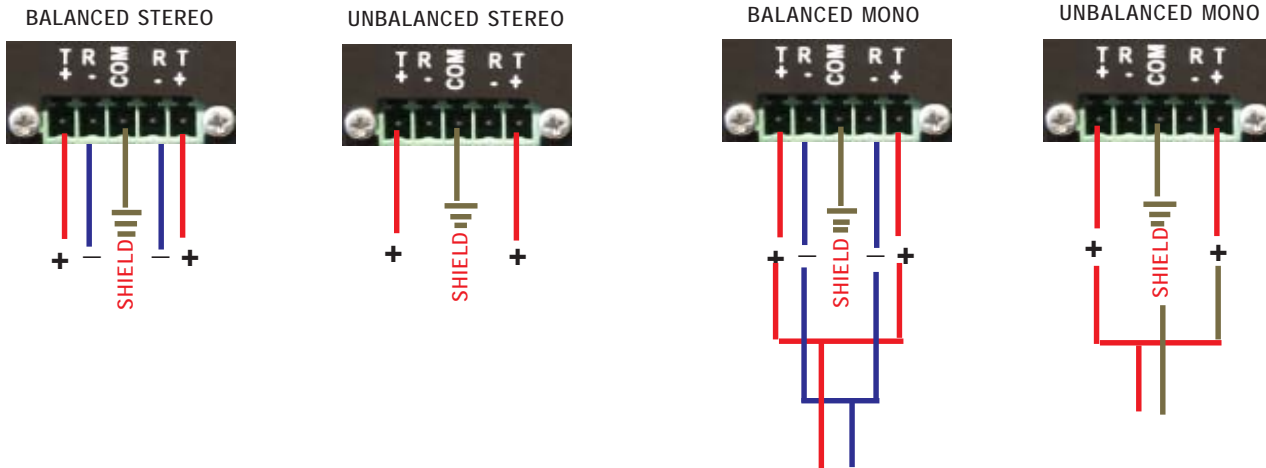


Includes Standard 3 Pin USA Power Cord

These **ENERGY EFFICIENT COOL RUNNING AUTOMATIC** Amplifiers turn themselves on in less than **2 milliseconds of detecting an Audio Signal**. When no Audio signal is detected, they will automatically turn themselves off after about 20 seconds, unless the Audio is restored before the cut off period, at which time they will repeat the Active Mode until finally no signal is detected.

AUTOMATIC INTERNAL CONFIGURATION OF THE LINE INPUT PHOENIX TYPE TERMINALS FOR FAST CONNECTIONS

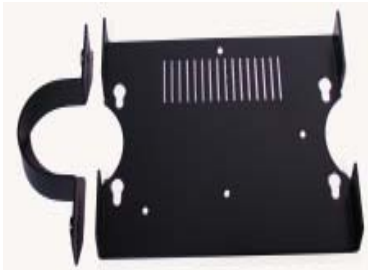
Internal circuitry enables the user to configure the Amplifier to be used in either Balanced or Unbalanced Modes depending on the connections used. Shown below are the different Line In Connections that allow the Amplifier to accept either Balanced or Unbalanced Stereo or Mono, depending on the user's requirements.



AMPLIFIER VOLUME CONTROL

The Amplifier's Volume is controlled through the RS 232 Two Way Control Port. The Front Volume Level Trim Pots control the actual (or Total Amount) of Output Level of each Channel. For Example: Setting the Front Trim Pots to 50% will provide 50% Output from the RS 232 Internal Digital Pots. So for 100% RS 232 Volume, make sure the Front Trim Pots are set somewhere near Maximum (turned clockwise).

Please turn over for Mounting Options and Specs



Multi Purpose Brackets can be Pole or Surface Mounted they can also be joined together when you need more space



19" 1U RackFrame Shelf

Up to four 1/4 Rack Nigel B Design Amplifiers can be fitted taking up only 1 Rackspace



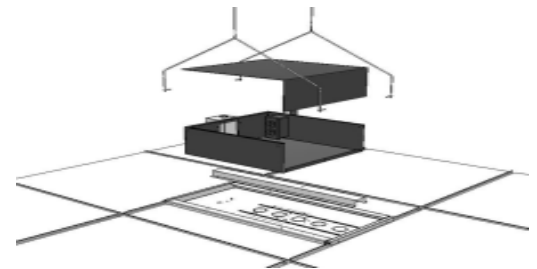
Illustration shows a MultiPurpose Bracket and Isolation Mount on the Projector's Pole



Amplifiers can be attached vertically behind a TV Monitor or other Flat Surfaces

NEED TO HIDE THE EQUIPMENT IN THE PLENUM OR CEILING SPACE

Hidden from view, our Plenum Rated Equipment Boxes allow Amplifiers and other Equipment, Power Supply, AC Receptacle and all the Cables to fit inside. All Cable runs are routed internally, so that the entire unit meets UL 2034 and all Electrical Codes for **Plenum Rating. Because the entire assembly is hidden, the chance of theft is minimized.**



Plenum Equipment Box Hanging Version

AMPLIFIER SPECIFICATIONS

- 50 watts Stereo / Mono
- Stereo/Mono Selector Switch (25 watts per Channel)
- 70 /25 Volt Output
- 75 watts Peak Music Power
- Frequency Response: 15 Hz - 22 kHz
- Signal to Noise Ratio: -65 dB
- Total Harmonic Distortion: .003 dB
- Dynamic Range: 115 dB
- Overload Protection: Built In
- All Screw Connectors



Pole Mount Versions



Extra Size Plenum Equipment Box fitted with 2RU Rack Rails

Our Plenum Rated Equipment Boxes contains a 1 gang Receptacle for powering both the Amplifier and any other equipment concealed inside

AUTO POWER SAVING MODE

Power is reduced to 250 milliamps in Stand By Mode

RECOMMENDED POWER SUPPLY REQUIRED

- 110V - 24V 3.3 Amps DC
- Nigel B Design Part # NB-PSU
- 100v -240v Auto Sensing 24 v 3.3 Amps DC

RS 232 PORT FOR TOTAL CONTROL

The Amplifier provides Two Way Communication supporting almost any Control Device including AMX®, Crestron®, 1U Control, Aurora Waci®, Stardraw® Control Devices. Currently the Amplifier can receive and confirm the following Commands:
Volume - Left Channel, Right Channel, Up and Down, Mute and Speaker Verification and Contact Closure. As On and Off are an Automatic Functions of the Amplifier there is no need to provide these from the RS 232 Port.

The Protocol can be downloaded from our Web Site free of charge