



MONO/STEREO 5000 Plus Series Model 50050PL 50 WATT AMPLIFIER

RS 232 CONTROLLED INSTRUCTIONS



TWO WAY RS 232 FOR CONTROL FROM ANY AMX®, OR CRESTRON®, 1U CONTROL, AURORA WACI® CONTROLLERS OR OTHER DEVICES

ACCEPTS BALANCED OR UNBALANCED INPUTS FOR STEREO OR MONO OPERATION



THE AMPLIFIERS SWITCH THEMSELVES ON & OFF AUTOMATICALLY

The first thing you will notice is the absence of an On/Off Switch. This is no accident. By incorporating an Automatic On/Off Circuit which we call ADC, the need for a Power Switch becomes unnecessary.

VOLUME CONTROL

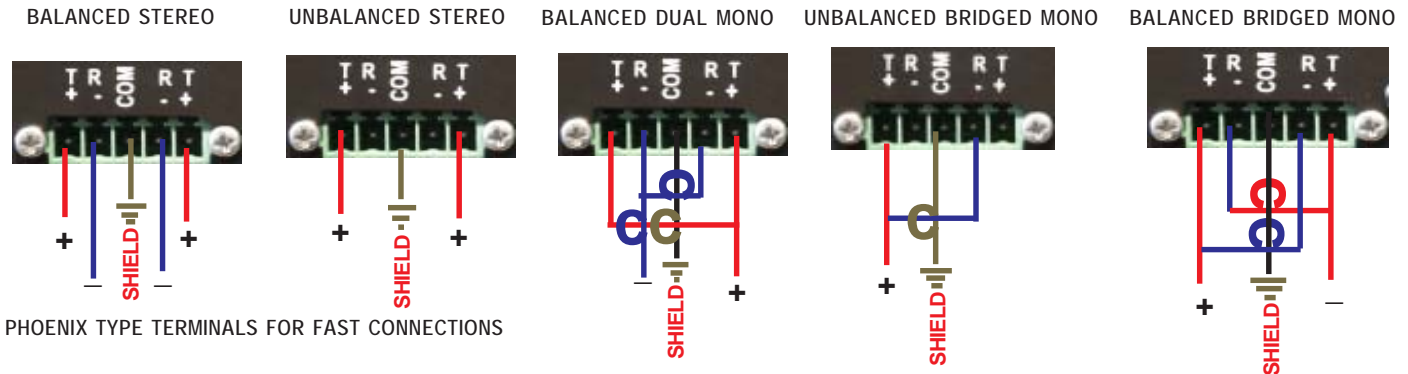
The Amplifier's Volume is controlled through the RS 232 Two Way Control Port. The Front Volume Level Trim Pots control the actual (or Total Amount) of Output Level of each Channel. For Example: Setting the Front Trim Pots to 50% will provide 50% Output from the RS 232 Internal Digital Pots. So for 100% RS 232 Volume, make sure the Front Trim Pots are set some where near Maximum (turned clockwise).

RECOMMENDED POWER SUPPLY

UL/CSA Listed Auto Sensing 100 -240 Volt 3.3 Amps DC Part # NB-PSU



Includes Standard USA 3 Pin Power Cord



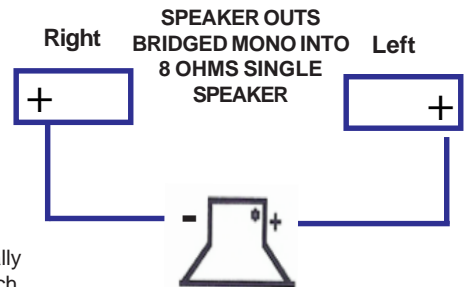
AUTOMATIC INTERNAL CONFIGURATION OF THE LINE INPUT

Internal circuitry enables the user to configure the Amplifier to be used in either Balanced or Unbalanced Modes depending on the connections used. Shown above are the different Line In Connections that allow the Amplifier to accept either Balanced or Unbalanced Stereo, Balanced Dual Mono or Balanced Bridged Mono Inputs, depending on the user's requirements.

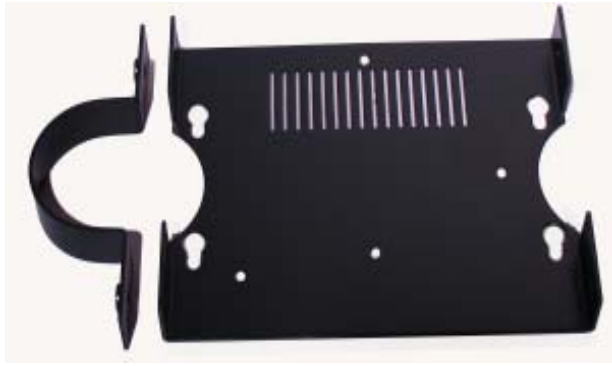
SUPER FAST - ADC - AUTOMATIC DETECTION CIRCUIT



This ENERGY EFFICIENT COOL RUNNING AUTOMATIC Amplifier turns itself on in less than 2 milliseconds of detecting an Audio Signal. When no Audio signal is detected it will automatically turn itself off after about 20 seconds, unless the Audio is restored before the cut off period, at which time the unit will repeat the Active Mode until finally no signal is detected.



Please turn over for Mounting Options and Specs



Multi Purpose Brackets can be Pole or Surface Mounted they can also be joined together when you need more space



Multi Purpose Bracket, Pole Mounted with Amplifier

NEED TO HIDE THE EQUIPMENT IN THE PLENUM OR CEILING SPACE

Hidden from view, our Plenum Rated Equipment Boxes allow Amplifiers and other Equipment, Power Supply, AC Receptacle and all the Cables to fit inside. All Cable runs are routed internally, so that the entire unit meets UL 2034 and all Electrical Codes for **Plenum Rating**. Because the entire assembly is hidden, the chance of theft is minimized.



Amplifiers can be attached behind a TV Monitor or other Flat Surfaces



Pole Mount Version



Full 19" Wide with 2RU Rack Rails

Extra Size Plenum Equipment Box fitted with 2RU Rack Rails



19" 1U RackFrame Shelf

Up to four 1/4 Rack Nigel B Design Amplifiers : fitted, taking up only 1 Rackspace

AMPLIFIER SPECIFICATIONS

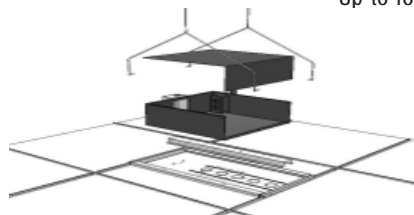
- 50 watts Stereo into 8 Ohms (25 watts per Channel)
- 75 watts Peak Music Power
- Frequency Response: 15 Hz - 22 kHz
- Signal to Noise Ratio: -65 dB
- Total Harmonic Distortion: .003 dB
- Dynamic Range: 115 dB
- Overload Protection: Built In
- All Screw Connectors

AUTO POWER SAVING MODE

Power is reduced to 250 milliamps in Stand By Mode

RECOMMENDED POWER SUPPLY REQUIRED

- 110V - 24V 3.3 Amps DC
- Nigel B Design Part # NB-PSU
- 100v -240v Auto Sensing 24 v 3.3 Amps DC



Plenum Equipment Box Hanging Version

Our Plenum Rated Equipment Boxes contains a 1 gang Receptacle for powering both the Amplifier and any other equipment concealed inside

RS 232 PORT FOR TOTAL CONTROL

The Amplifier provides Two Way Communication supporting almost any Control Device including AMX®, Crestron®, 1U Control, Aurora Waci®, Stardraw® Control Devices. Currently the Amplifier can receive and confirm the following Commands: Volume - Left Channel, Right Channel, Up and Down, Mute and Speaker Verification and Contact Closure. As On and Off are an Automatic Functions of the Amplifier there is no need to provide these from the RS 232 Port.

The Protocol can be downloaded from our Web Site free of charge