



50 WATT MONO 5000 SERIES STEREO AMPLIFIER

INSTRUCTIONS



POWER INDICATOR-RED
AUDIO ADC ENABLED-GREEN

ACCEPTS BALANCED OR UNBALANCED
INPUTS FOR STEREO OR MONO
OPERATION



RECOMMENDED POWER SUPPLY



UL/CSA Listed
Auto Sensing 110 -240 Volt 3.3
Amps DC
Part # NB-PSU

THE AMPLIFIERS SWITCH THEMSELVES ON & OFF AUTOMATICALLY

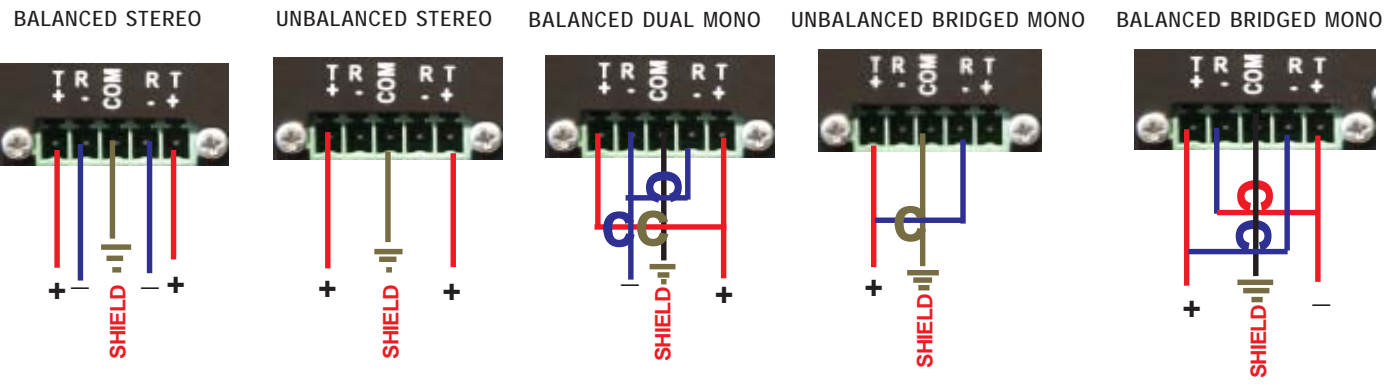
The first thing you will notice is the absence of an On/Off Switch. This is no accident. By incorporating an Automatic On/Off Circuit which we call ADC, the need for a Power Switch becomes unnecessary.

SUPER FAST - ADC- AUTOMATIC DETECTION CIRCUIT



These ENERGY EFFICIENT COOL RUNNING AUTOMATIC Amplifiers turn themselves on in less than 2 milliseconds of detecting an Audio Signal. When no Audio signal is detected they will automatically turn themselves off after about 20 seconds, unless the Audio is restored before the cut off period, at which time they will repeat the Active Mode until finally no signal is detected.

PHOENIX TYPE TERMINALS FOR FAST CONNECTIONS

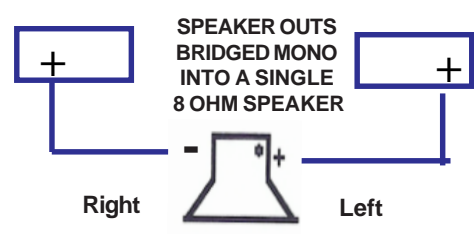


AUTOMATIC INTERNAL CONFIGURATION OF THE LINE INPUT

Internal circuitry enables the user to configure the Amplifier to be used in either Balanced or Unbalanced Modes depending on the connections used. Shown above are the different Line In Connections that allow the Amplifier to accept either Balanced or Unbalanced Stereo, Balanced Dual Mono or Balanced Bridged Mono Inputs, depending on the user's requirements.

BRIDGING TWO UNITS TOGETHER FOR INCREASED POWER OUTPUT

Two units may be bridged by linking each Speaker Outputs together. Each Amplifier will need its own Power Supply



Please turn over for Mounting Options and Specs



Multi Purpose Brackets can be Pole or Surface Mounted they can also be joined together when you need more space



Multi Purpose Bracket Pole Mounted with Amplifier and Isolation Mount



Attached behind a TV Monitor

NEED TO HIDE THE EQUIPMENT IN THE PLENUM SPACE

Hidden from view, our Plenum Rated Equipment Boxes allow Amplifiers and other Equipment, Power Supply, AC Receptacle and all the Cables to fit inside. All Cable runs are routed internally, so that the entire unit meets UL 2034 and all Electrical Codes for **Plenum Rating. As the entire assembly is hidden, the chance of theft is minimized.**

AMPLIFIER SPECIFICATIONS

50 watts RMS Mono / Stereo into 4 Ohms (25 watts per Channel)
 100 watts Peak Music Power
 Frequency Response: 15 Hz - 22 kHz
 Signal to Noise Ratio: -65 dB
 Total Harmonic Distortion: .003 dB
 Dynamic Range: 115 dB
 Overload Protection: Built In
 All Screw Connectors

AUTO POWER SAVING MODE

Power is reduced to 250 milliamps in Stand By Mode

RECOMMENDED POWER SUPPLY REQUIRED

110V - 24V 3.3 Amps DC

Nigel B Design Part # NB-PSU

100v -240v Auto Sensing 24 v 3.3 Amps DC



Pole Mount Version



Extra Size Plenum Box Hanging Version

Our Plenum Rated Equipment Boxes contains a 1 gang Receptacle for powering both the Amplifier and any other equipment concealed inside



19" 1U RackFrame Shelf

Up to four 1/4 Rack Nigel B Design Amplifiers can be fitted taking up only 1 Rackspace

Nigel B Design, Inc. California, USA. Tel: (818) 487-9323 Fax: (818) 766-9805
Web Site: www.nigelbdesign.com E-Mail: sales@nigelbdesign.com

